

All CAPS should be of type X7R!

Amateurfunkclub für Remote Stationen

Sheet: /5V/
File: 5V.kicad_sch

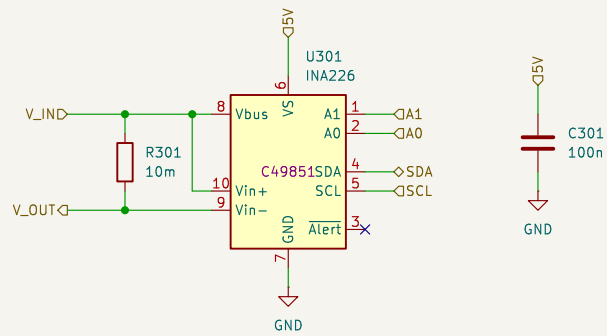
Title: 5V Buck Converter

Size: A4
KiCad E.D.A. 9.0.7

Date:

Rev: 1.1

Id: 2/4



Amateurfunkclub für Remote Stationen

Sheet: /Power Measurement/
File: power_measurement.kicad_sch

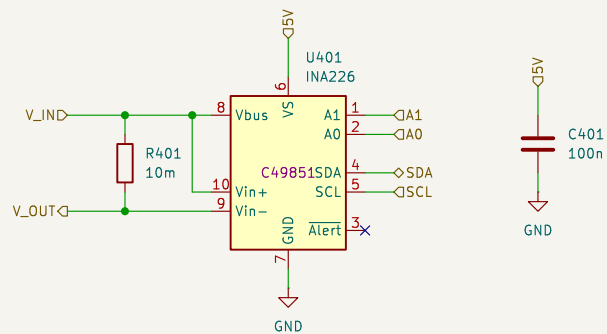
Title: Power Measurement

Size: A4
KiCad E.D.A. 9.0.7

Date:

Rev: 1.1

Id: 3/4



Amateurfunkclub für Remote Stationen

Sheet: /Power Measurement1/
File: power_measurement.kicad_sch

Title: Power Measurement

Size: A4
KiCad E.D.A. 9.0.7

Date:

Rev: 1.1

Id: 4/4