

- H101 MountingHole
- H102 MountingHole

Amateurfunkclub für Remote Stationen

Sheet: /
File: FMTransceiver.kicad_sch

Title: FM Module

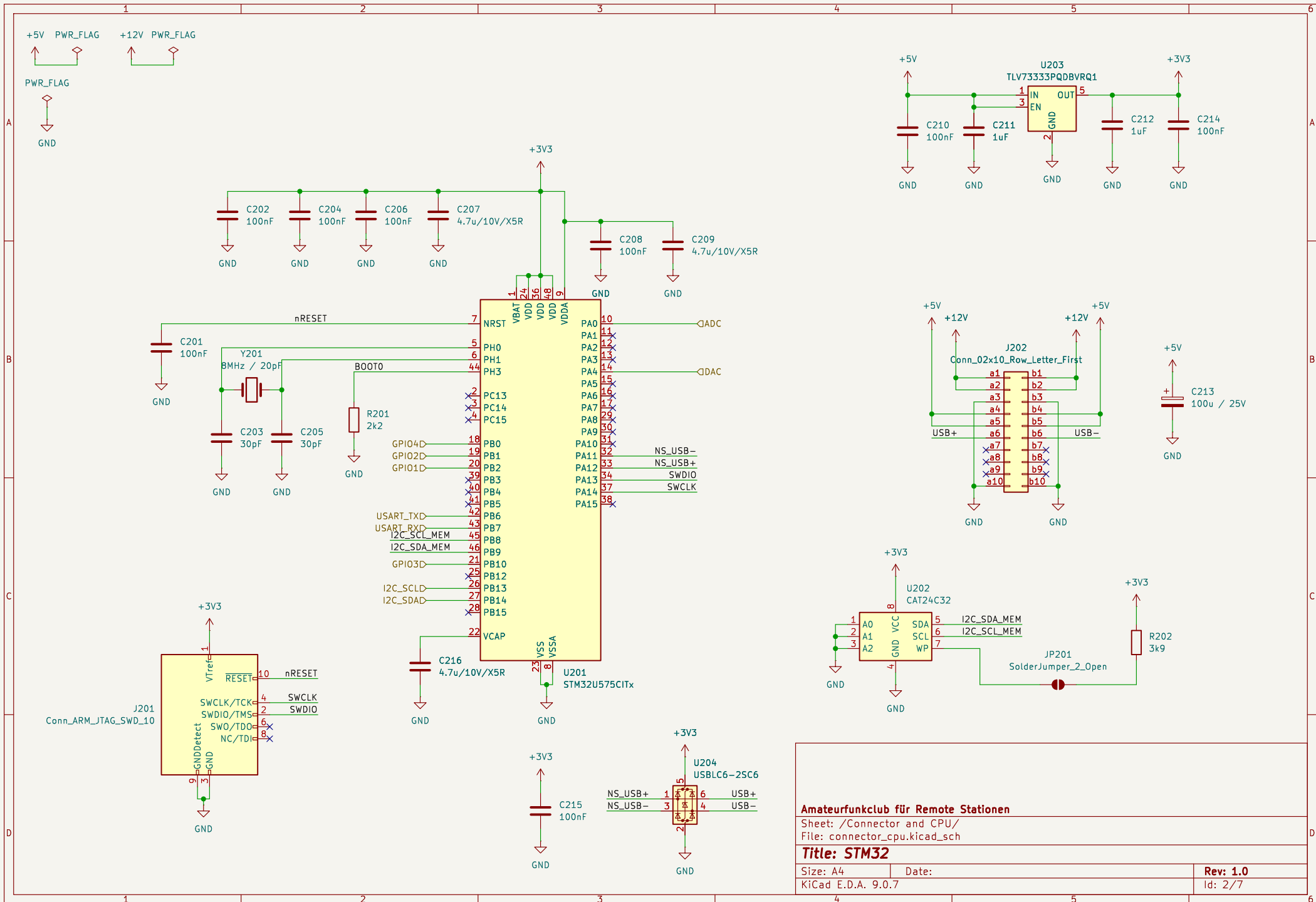
Size: A4

Date:

Rev: 1.0

KiCad E.D.A. 9.0.7

Id: 1/7

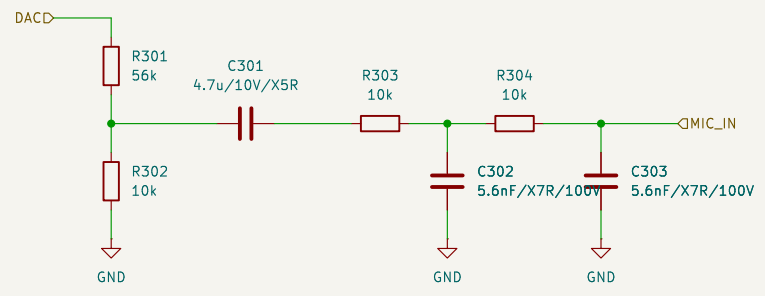


Amateurfunkclub für Remote Stationen

Sheet: /Connector and CPU/
File: connector_cpu.kicad_sch

Title: STM32

Size: A4	Date:	Rev: 1.0
KiCad E.D.A. 9.0.7		Id: 2/7



Amateurfunkclub für Remote Stationen

Sheet: /DAC to MIC_IN filter/
File: DAC-MIC_IN-filter.kicad_sch

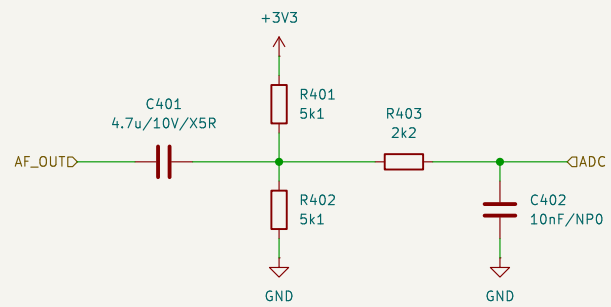
Title: DAC to MIC_IN filter

Size: A4
KiCad E.D.A. 9.0.7

Date:

Rev: 1.0

Id: 3/7



Amateurfunkclub für Remote Stationen

Sheet: /AF_OUT to ADC filter/
File: AF_OUT-ADC-filter.kicad_sch

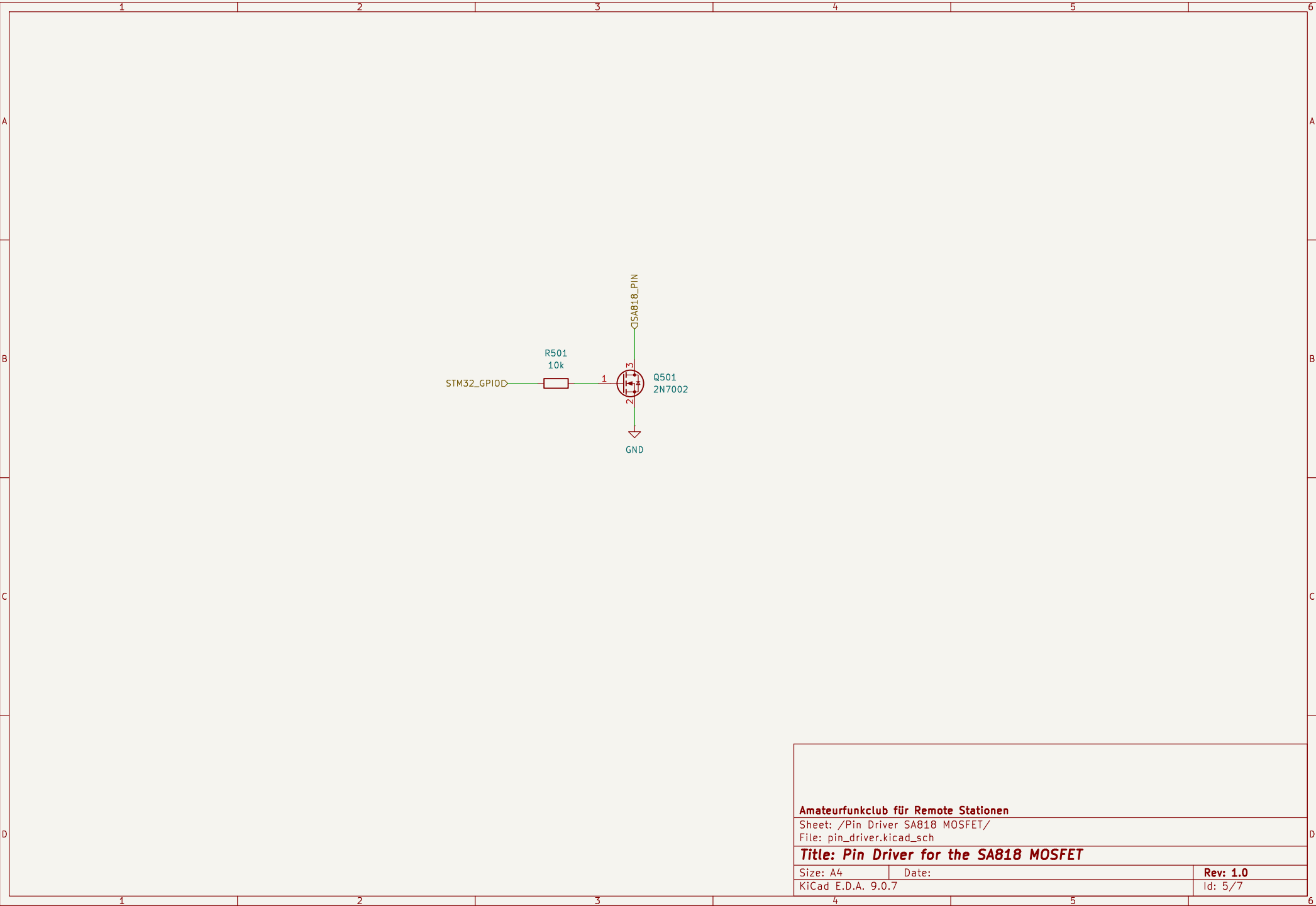
Title: AF_OUT to ADC filter

Size: A4
KiCad E.D.A. 9.0.7

Date:

Rev: 1.0

Id: 4/7



Amateurfunkclub für Remote Stationen

Sheet: /Pin Driver SA818 MOSFET/

File: pin_driver.kicad_sch

Title: Pin Driver for the SA818 MOSFET

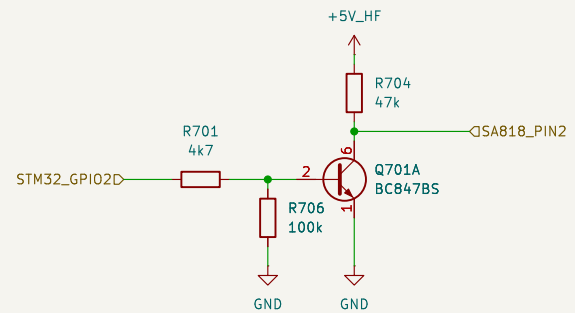
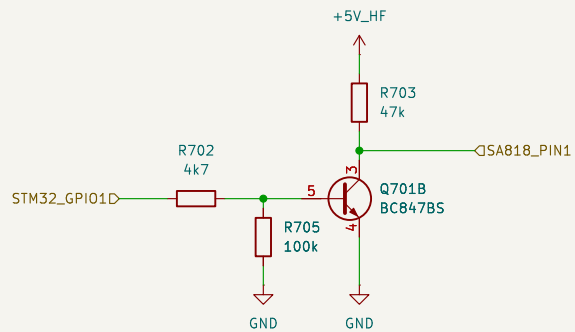
Size: A4

Date:

Rev: 1.0

KiCad E.D.A. 9.0.7

Id: 5/7



Amateurfunkclub für Remote Stationen

Sheet: /Pin Driver SA818 NPN/

File: pin_driver_npn.kicad_sch

Title: Pin Driver for the SA818 NPN

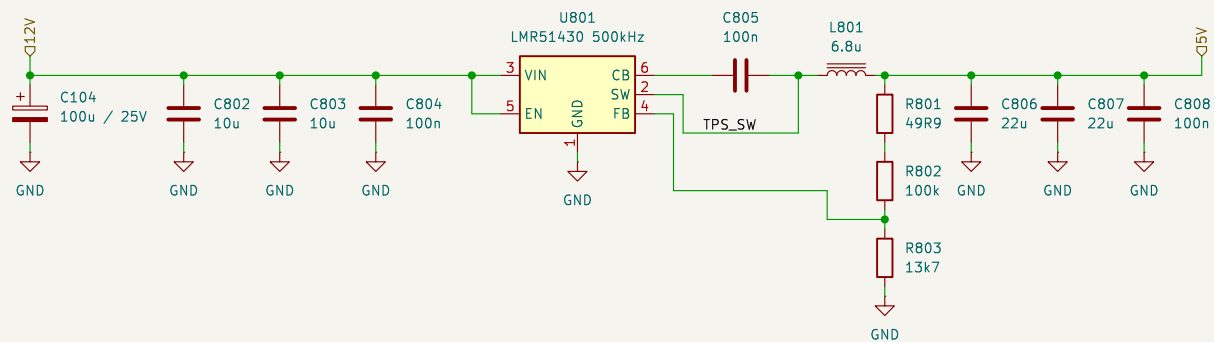
Size: A4

Date:

Rev: 1.0

KiCad E.D.A. 9.0.7

Id: 777



All CAPS should be of type X7R!

Amateurfunkclub für Remote Stationen

Sheet: /5V/
File: 5V.kicad_sch

Title: 5V HF

Size: A4
KiCad E.D.A. 9.0.7

Date:

Rev: 1.0

Id: 8/7