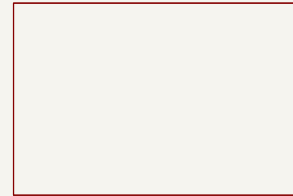
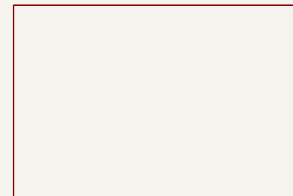


Device Tester Connector







File: device\_tester\_connector.kicad\_sch

Bus Tester Connector



File: bus\_tester\_connector.kicad\_sch

-  H101 MountingHole
-  H102 MountingHole
-  H103 MountingHole
-  H104 MountingHole



**Amateurfunkclub für Remote Stationen**

Sheet: /  
File: DeviceTester.kicad\_sch

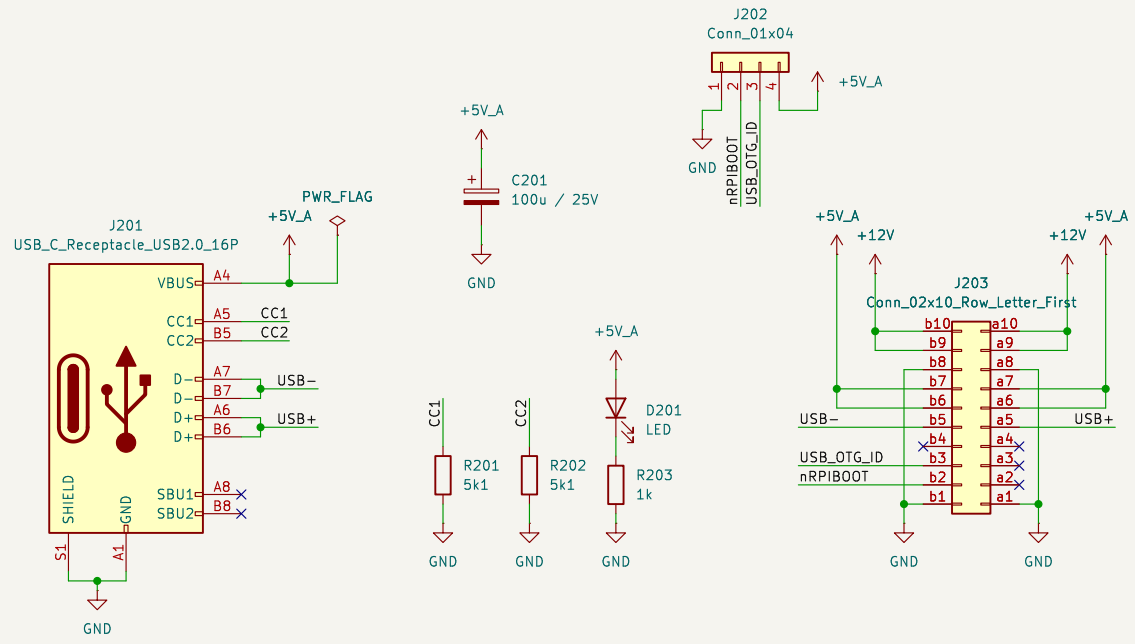
**Title: Device Tester**

Size: A4  
KiCad E.D.A. 9.0.7

Date:

**Rev: 1.0**

Id: 1/3

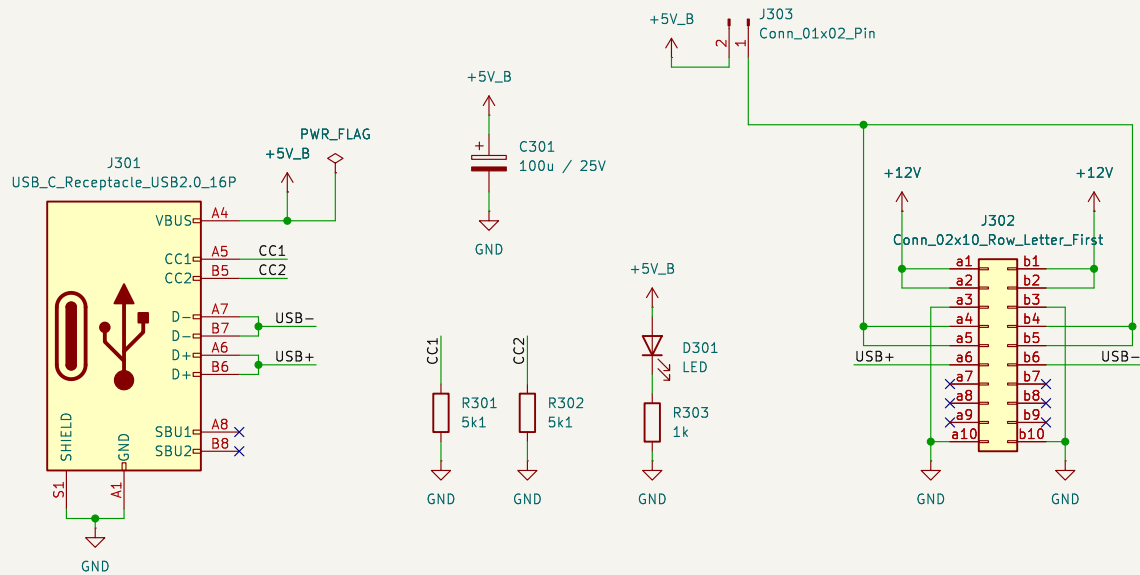


**Amateurfunkclub für Remote Stationen**

Sheet: /Device Tester Connector/  
 File: device\_tester\_connector.kicad\_sch

**Title: Device Tester Connector**

Size: A4	Date:	Rev: 1.0
KiCad E.D.A. 9.0.7		Id: 2/3



**Amateurfunkclub für Remote Stationen**

Sheet: /Bus Tester Connector/  
File: bus\_tester\_connector.kicad\_sch

**Title: Device Tester Connector**

Size: A4  
KiCad E.D.A. 9.0.7

Date:

**Rev: 1.0**

Id: 3/3