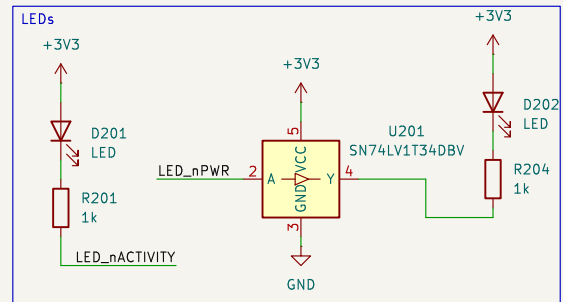
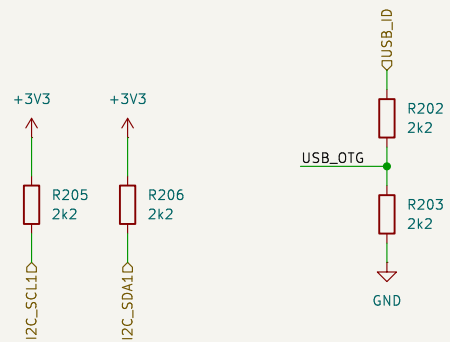
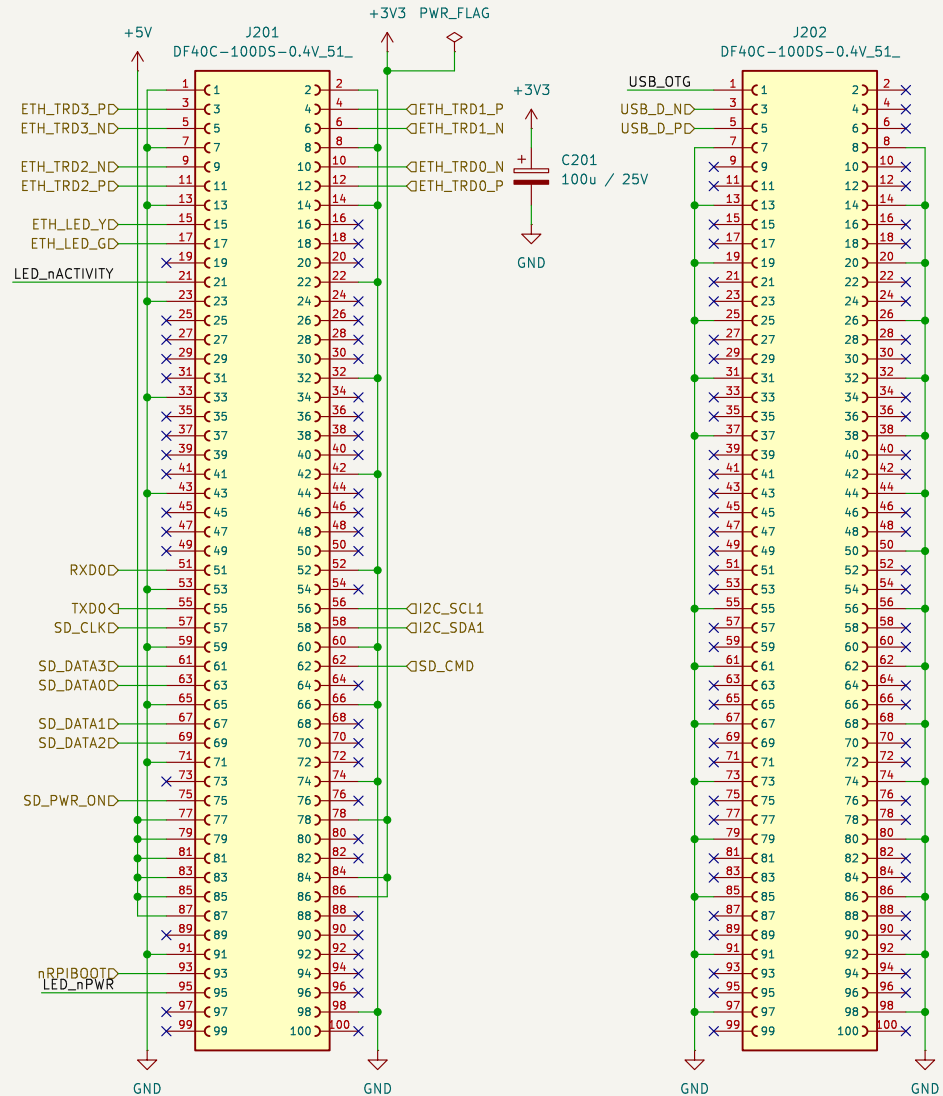


Amateurfunkclub für Remote Stationen

Sheet: /
File: CM4Carrier.kicad_sch

Title: Bus Connector

Size: A4	Date:	Rev: 1.0
KiCad E.D.A. 9.0.7		Id: 1/4



Amateurfunkclub für Remote Stationen

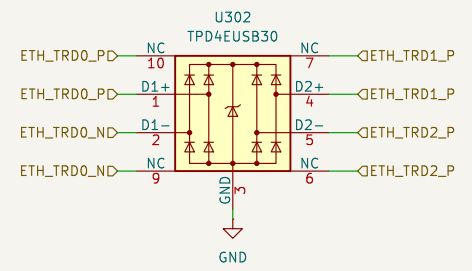
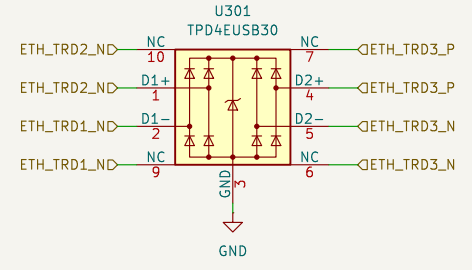
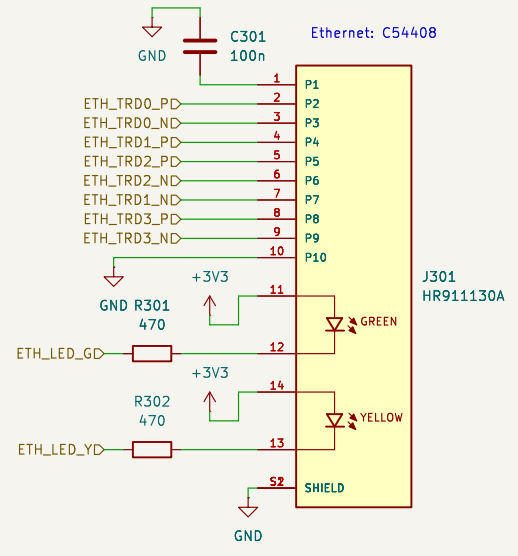
Sheet: /CM4-Board/
File: cm4-board.kicad_sch

Title: CM4 Board

Size: A4
KiCad E.D.A. 9.0.7

Date:

Rev: 1.0
Id: 2/4



Amateurfunkclub für Remote Stationen

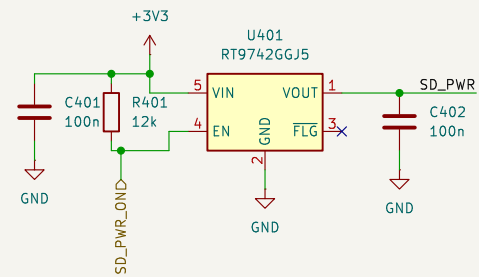
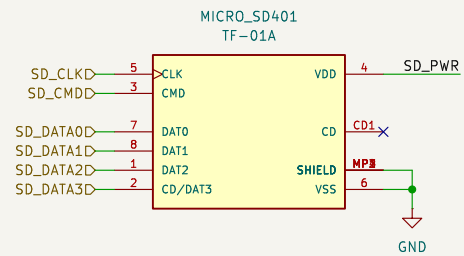
Sheet: /Ethernet/
File: ethernet.kicad_sch

Title: Ethernet Port for CM4

Size: A4
KiCad E.D.A. 9.0.7

Date:

Rev: 1.0
Id: 3/4



Amateurfunkclub für Remote Stationen

Sheet: /MicroSD/

File: micro_sd.kicad_sch

Title: MicroSD Slot for CM4 (just for debugging!)

Size: A4

Date:

Rev: 1.0

KiCad E.D.A. 9.0.7

Id: 4/4