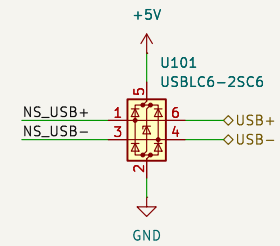
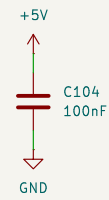
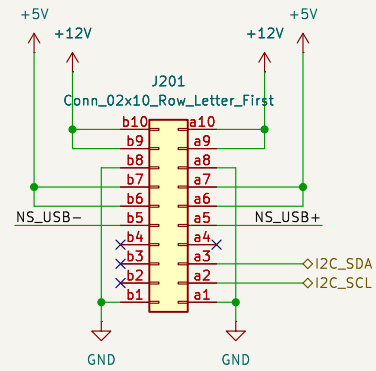


Amateurfunkclub für Remote Stationen

Sheet: /
File: BusBoard.kicad_sch

Title: Bus, USB

Size: A4	Date:	Rev: 1.0
KiCad E.D.A. 9.0.7		Id: 1/7



Amateurfunkclub für Remote Stationen

Sheet: /RPI Connector/
File: rpi.kicad_sch

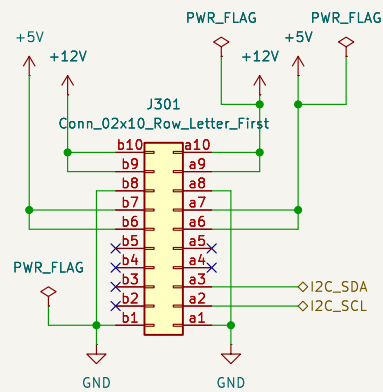
Title: Bus Connector

Size: A4
KiCad E.D.A. 9.0.7

Date:

Rev: 1.0

Id: 2/7



Amateurfunkclub für Remote Stationen

Sheet: /Power Connector/
 File: power_connector.kicad_sch

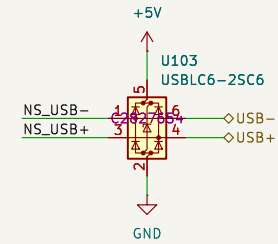
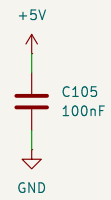
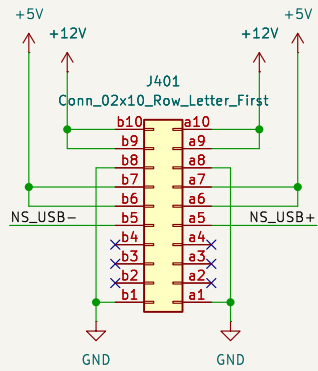
Title:

Size: A4
 KiCad E.D.A. 9.0.7

Date:

Rev: 1.0

Id: 3/7



Amateurfunkclub für Remote Stationen

Sheet: /Device Connector 1/
File: device_connector.kicad_sch

Title:

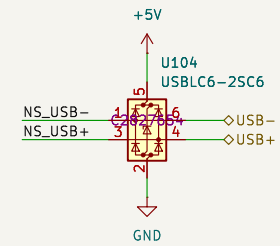
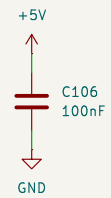
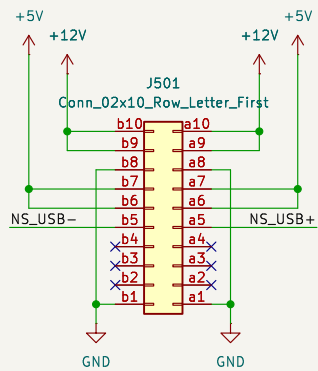
Size: A4

Date:

Rev: 1.0

KiCad E.D.A. 9.0.7

Id: 4/7



Amateurfunkclub für Remote Stationen

Sheet: /Device Connector 2/
File: device_connector.kicad_sch

Title:

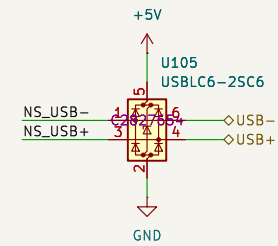
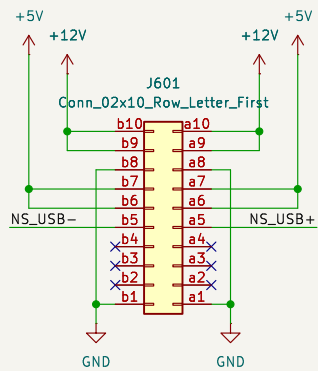
Size: A4

Date:

Rev: 1.0

KiCad E.D.A. 9.0.7

Id: 5/7



Amateurfunkclub für Remote Stationen

Sheet: /Device Connector 3/
File: device_connector.kicad_sch

Title:

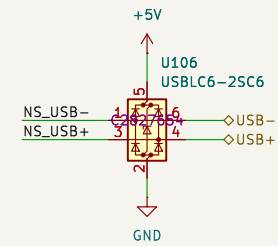
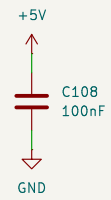
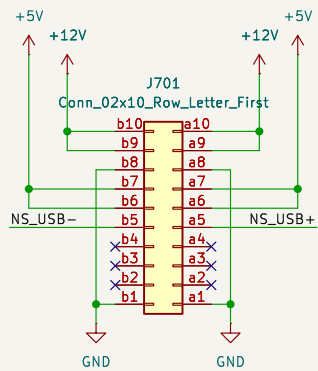
Size: A4

Date:

Rev: 1.0

KiCad E.D.A. 9.0.7

Id: 6/7



Amateurfunkclub für Remote Stationen

Sheet: /Device Connector 4/
File: device_connector.kicad_sch

Title:

Size: A4

Date:

Rev: 1.0

KiCad E.D.A. 9.0.7

Id: 777